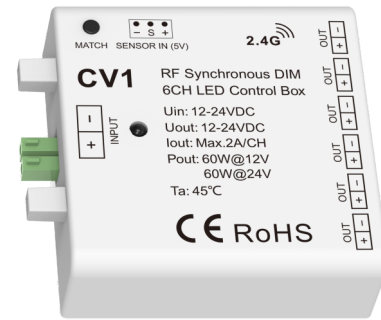


# RF+Sensor Synchronous DIM 6 CH LED Control Box

Model No.: CV1

## Features

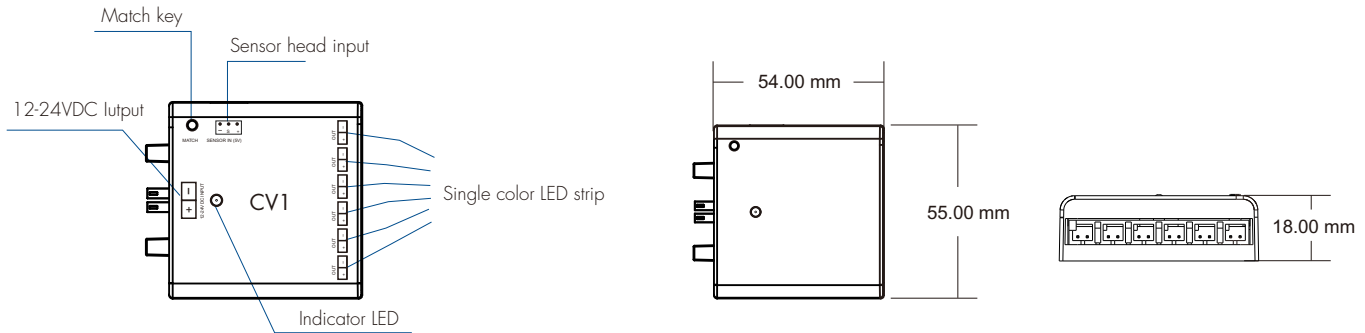
- Dimming interface: RF Wireless, Sensor
- Match with RF 2.4G single zone or multiple zone dimming remote control
- Match with a variety of induction sensor head
- 12-24VDC Input
- 6 channel synchronous constant voltage output, Max. total output power 60W
- Ultra-thin design, light weight and high efficiency
- Light on/off fade time 3s selectable
- Suitable for indoor LED lighting application
- 5 Year, 50,000hr warranty



## Applications

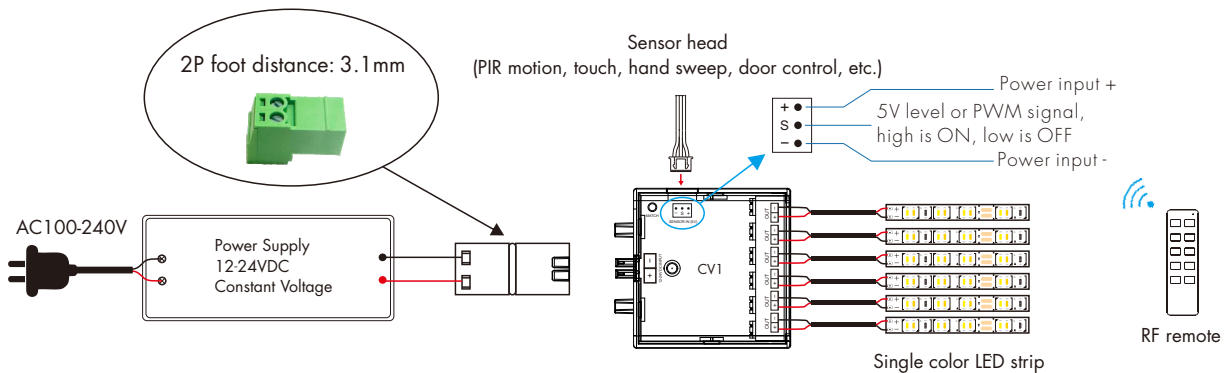
- Suitable for cabinet LED strip.

## Mechanical Structures and Installations

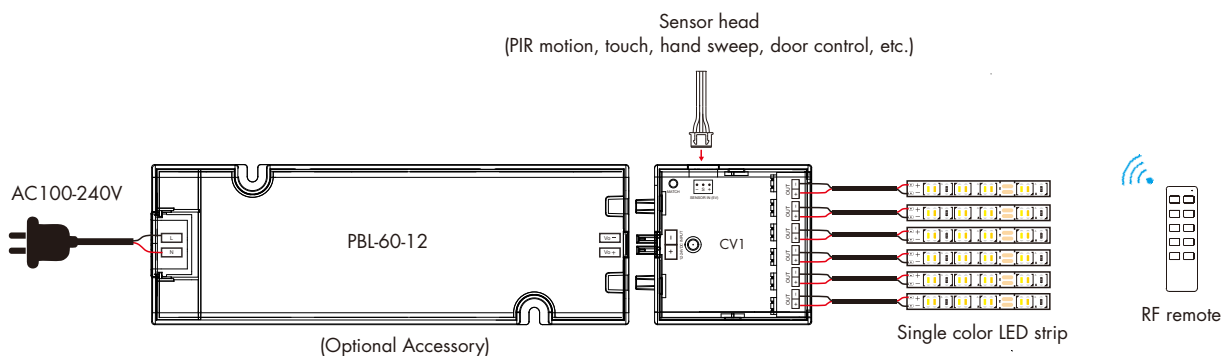


## Wiring Diagram

1. Use alone, powered by constant voltage power supply



2. Matching cabinet LED driver use



## Light on/off fade time

Long press match key 5s, then short press match key 3 times, the light on/off time will be set to 3s, the indicator light blink 3 times.

Long press match key 10s, restore factory default parameter, the light on/off time also restore to 0.5s.

## Match Remote Control

The control box can match with RF 2.4G dimming remote control optionally by default, except PIR motion sensor input.

For PIR motion sensor input, please long press the MATCH key 15s to disable the RF remote match function.

For other sensor input, please long press the Match key 5s to enable the RF remote match function.

The user can choose the suitable match/delete ways. Two options are offered for selection:

### Use Match key

Match:

Short press match key, immediately press on/off key (single zone remote) or zone key (multiple zone remote) of the remote.

Delete:

Press and hold match key for 5s to delete all match, The light blinks 5 times means all matched remotes were deleted.

### Use Power Restart

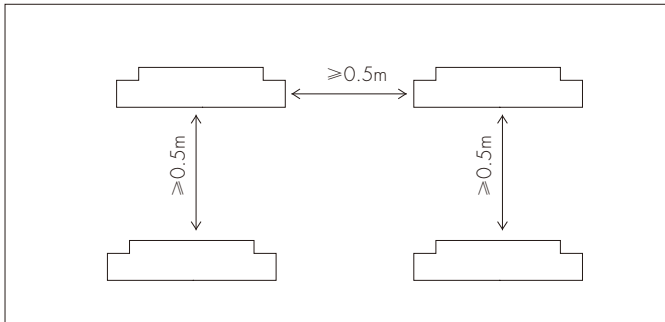
Match:

Switch off the power, then switch on power, repeat again. Immediately short press on/off key (single zone remote) or zone key (multiple zone remote) 3 times on the remote. The light blinks 3 times means match is successful.

Delete:

Switch off the power, then switch on power, repeat again. Immediately short press on/off key (single zone remote) or zone key (multiple zone remote) 5 times on the remote. The light blinks 5 times means all matched remotes were deleted.

## Installation precautions

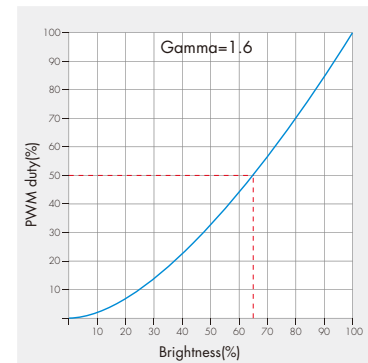


Please do not stack the products.

The distance between two products should be  $\geq 0.5m$ ,

so as not to affect heat dissipation and lifespan of the products.

## Dimming Curve



## Failure analysis and troubleshooting

| Fault                                | Cause   | Solution   |
|--------------------------------------|---|--|
| The light can not be turned on       | <ol style="list-style-type: none"> <li>1. No power</li> <li>2. Wrong wiring</li> </ol>  | <ol style="list-style-type: none"> <li>1. Check the power supply</li> <li>2. Connection test</li> </ol>  |
| Remote control nonresponse           | <ol style="list-style-type: none"> <li>1. Run out of battery</li> <li>2. Beyond remote control range</li> <li>3. No matching</li> </ol> | <ol style="list-style-type: none"> <li>1. Replace the battery</li> <li>2. Move the remote to controller closer</li> <li>3. Match the remote to LED driver</li> </ol> |
| Hiccup flashing                      | Overload  | Check the power of the light   |
| Controlled by other remote           | Wrong pairing   | Delete all pairing and pair with remote again  |
| Multiple LED drivers are out of sync | Inconsistent fade on/off time   | Set the same fade on/off time  |

## Packing List



LED Control Box  
1 pcs



User Manual  
1 pcs



2P Terminal  
1 pcs



Slotted  
screwdriver  
1 pcs