

## PIR Motion Sensing Switch

- PIR motion sensor switch with daylight detection.
- 5 level brightness (100%, 75%, 50%, 25%, 10%).
- 4 level timer (10s, 30s, 60s, 180s).
- Two light off modes are available, the light goes out when people leave or the light maintains low brightness when people leave.
- Suitable for staircase, bedroom, living room, closet, aisle and other light sensor switch control.

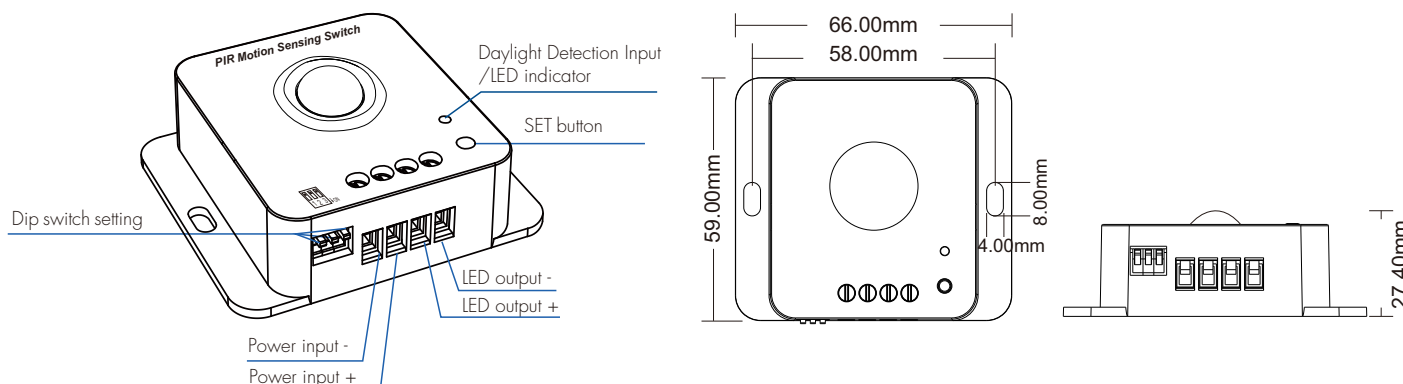


CE RoHS

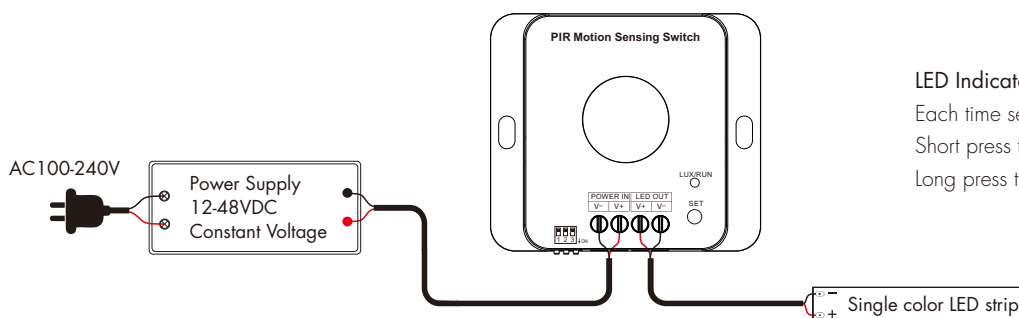
### Technical Parameters

Input and Output		Dimming data		Safety and EMC	
Input voltage	12-48VDC	Input signal	PIR sensor	EMC standard	EN IEC 55015/ EN IEC 61547
Input current	6.5A	Sensitivity range	3-5m	Safety standard	EN 61347-1/-2
Output voltage	12-48VDC	Sensitivity angle	80°(±20° Error)	Certification	CE RoHS
Output current	6A@12-24V 4A@36-48V	Dimming range	10-100%	<b>Environment</b>	
Output power	72W@12V    144W@24V 144W@36V    192W@48V	PWM Frequency	2KHz(default)	Operation temperature	Ta: -20°C ~ +55°C
Output type	Constant voltage	<b>Package</b>		Case temperature (Max.)	Tc: +85°C
<b>Warranty</b>		Size	L 70 x W 60 x H 40mm	IP rating	IP20
Warranty	5 years	Gross weight	0.059kg		

### Mechanical Structures



### Wiring Diagram

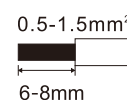


#### LED Indicator Status:

- Each time sensing is effective, the indicator blink 1 time;
- Short press the SET button, the indicator blink 1 time;
- Long press the SET button, the indicator blink continuously.

#### Wire Preparation:

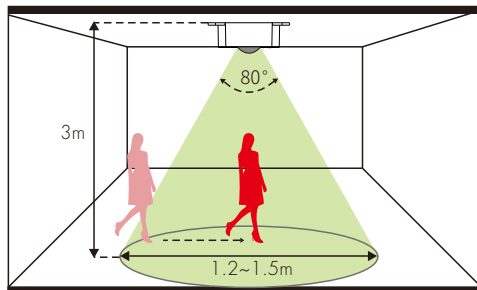
1. The wiring can be solid or stranded with a cross-sectional area of 0.5 to 1.5 mm<sup>2</sup>. Conventional 1mm<sup>2</sup> can withstand 10A output current.
2. When wiring is installed, the terminals must be tightened. If they are not tightened, the contact point resistance will be too high and the terminals will easily burn due to heat when used at full load for a long time.



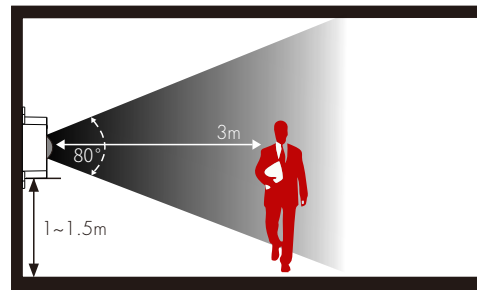
**Note:** The output power of a constant voltage power supply should be at least 1.2 times that of the output load (light strip), otherwise the full power output of the load can easily cause automatic flickering or shaking of the light.

## Installation Example

Put the controller on the wall or ceiling and fix it with screws.



Ceiling mounting pattern



Wall mounting pattern

### Installation attention:

1. Recommended for wall mounting.
2. If the sensor is exposed to direct sunlight, interference signal will be introduced.
3. The sensor should be installed in a dry environment and keep away from windows, air conditioner and fans.
4. Make sure that the sensor stays away from heat source, such as countertops, kitchen appliances which generate hot steam, walls and windows in direct sunlight, air conditioner, heating, refrigerators, stoves and so on.
5. We recommend the wall-mounted installation height is 1-1.5 meters and the ceiling mounting height is no more than 3 meters.
6. There should not be shelter (screen, furniture, large bonsai) within the range of detection.

## SET Button Function

### Brightness setting:

Short press the SET button: sequentially switch 5 levels of light brightness (100%, 75%, 50%, 25%, 10%).

Long press the SET button (1-6s): Step-less dimming, with every other long press, the light level goes to the opposite direction, dimming range 10%-100%.

### Light off mode setting:

Two light off modes are available, light off when people leave or light maintains low brightness (10%) when people leave, factory default light off when people leave. Within 5s of sensor switch power-up, short press the SET button 3 times, the LED indicator blink 3 times, set to light maintains low brightness when people leave, that is, after the end of the sensing delay, the light does not go out, keep 10% brightness.

Within 5s of sensor switch power-up, short press the SET button 5 times, the LED indicator blink 5 times, restore to factory default light off when people leave.

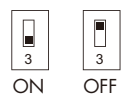
NOTE: When light maintains low brightness when people leave, the brightness setting range automatically change to 25% - 100%, the daylight sensing threshold automatically change to 130 lux, and the light will turn off automatically when the ambient light is  $\geq 200$  lux.

## DIP Switch Function

1. DIP switch 1-2 set 4 levels of delayed light off time: 10s, 30s, 60s, 180s.



2. DIP switch 3 set daylight detection on or off.



Turn on daylight detection: the light will be turned on only when the ambient light is less than the daylight sensing threshold.

Turn off daylight detection: turns on the light immediately when it senses human movement, making no distinction between day or night states. The daylight sensing threshold is fixed at 30 lux by default.

## Application Scenario

PIR motion sensing switch is suitable for staircase, bedroom, living room, closet, aisle and other light sensor switch control.

