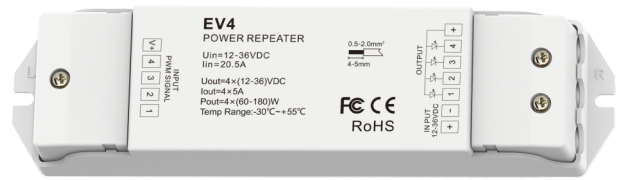


4 Channel Constant Voltage Power Repeater

- 12-36V constant voltage power repeater.
- 4 channel, 5A per channel.
- To receive PWM signal control.
- Power repeater in series or in parallel to expand output unlimitedly.
- Apply to single color, dual color, RGB or RGBW constant voltage LED strip or module.

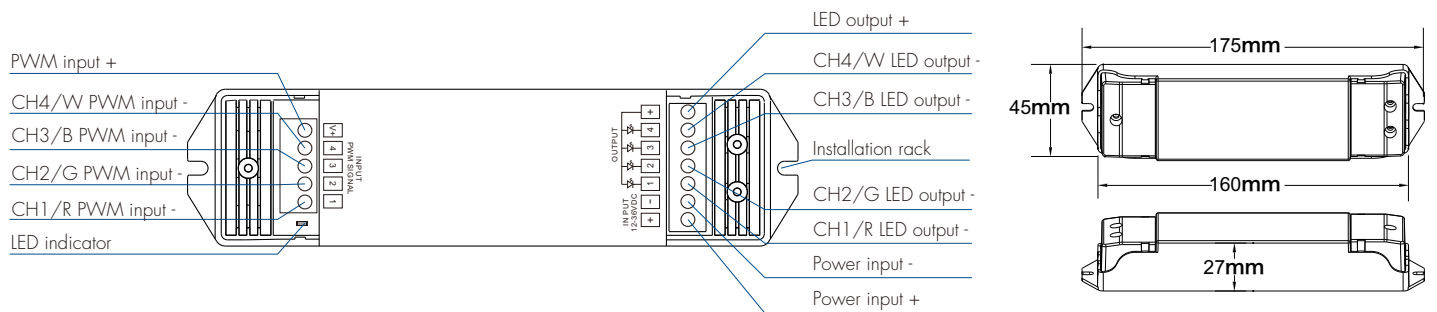


CE RoHS emc LVD

Technical Parameters

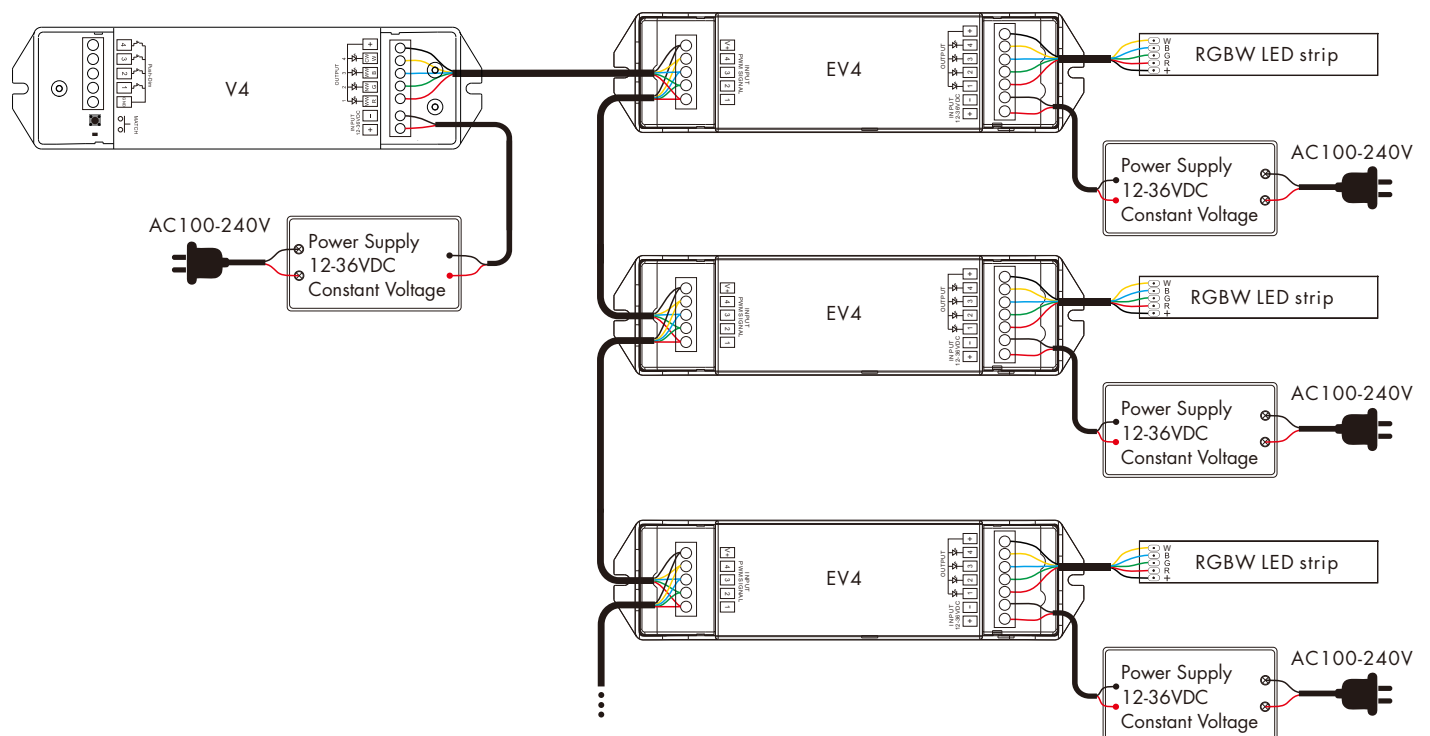
Input and Output	Safety and EMC	Environment
Input voltage	EN IEC 55015:2019+A11:2020 EN 61547:2009	Operation temperature
Input current	EN IEC 61000-3-2:2019+A1:2021 EN 61000-3-3:2013+A1:2019	Ta: -30°C ~ +55°C
Input signal	Safety standard(LVD)	Case temperature (Max.)
Output voltage	EN 61347-1:2015+A1:2021 EN 61347-2-13:2014+A1:2017	Tc: +85°C
Output current	Certification	IP rating
Output power	CE, EMC, LVD	IP20
Output type	Package	Warranty and Protection
	Size	Warranty
	Gross weight	5 years
		Protection
		Reverse polarity Over-heat Short circuit

Mechanical Structures and Installations

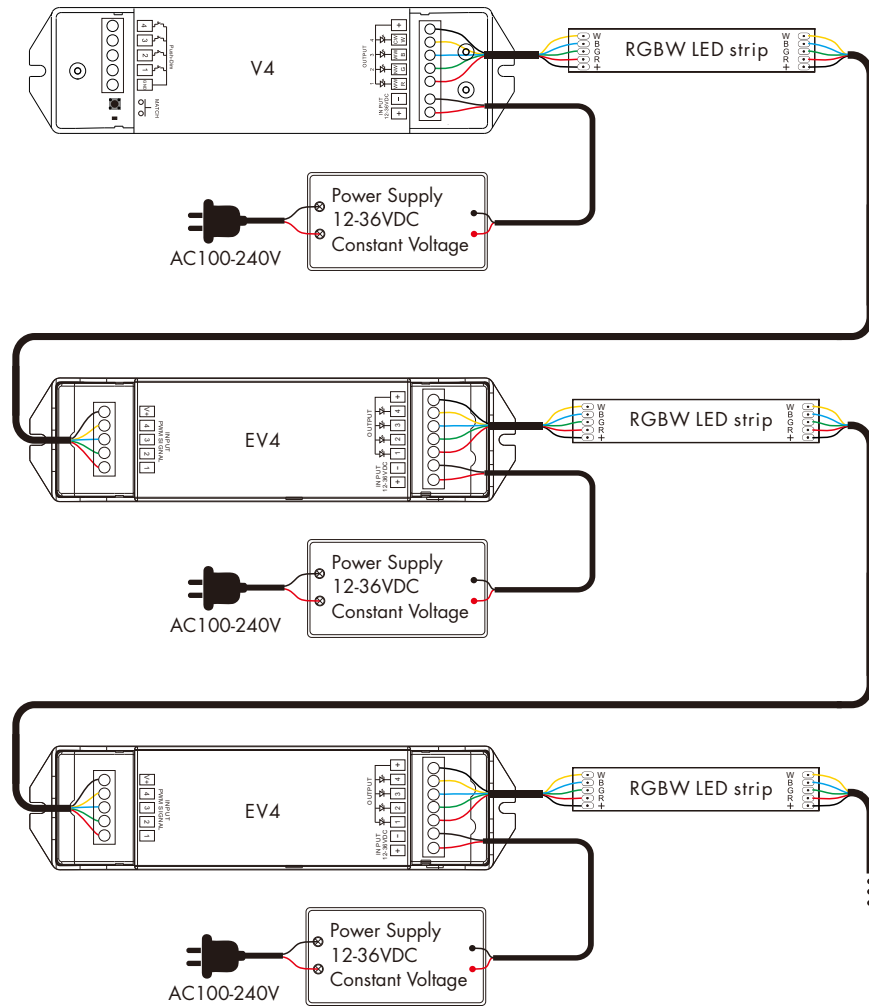


Wiring Diagram

- Parallel connection



• Series connection



Note: If the power repeater is over heat or short circuit, the LED indicator will blink.

Malfunctions analysis & troubleshooting

Malfunctions	Causes	Troubleshooting
No light	<ol style="list-style-type: none"> 1. No power. 2. Wrong connection or insecure. 	<ol style="list-style-type: none"> 1. Check the power. 2. Check the connection.
Wrong color	<ol style="list-style-type: none"> 1. Wrong connection of R/G/B/W wires. 	<ol style="list-style-type: none"> 1. Reconnect R/G/B/W wires.
Uneven intensity between front and rear, with voltage drop	<ol style="list-style-type: none"> 1. Output cable is too long. 2. Wire diameter is too small. 3. Overload beyond power supply capability. 4. Overload beyond controller capability. 	<ol style="list-style-type: none"> 1. Reduce cable or loop supply. 2. Change wider wire. 3. Replace higher power supply. 4. Add power repeater.

Safety & Warnings

1. The product shall be installed and serviced by a qualified person.
2. This product is non-waterproof. Please avoid the sun and rain.
3. Good heat dissipation will prolong the working life of the controller, Please ensure good ventilation.
4. Please check if the output voltage of any power supplies used comply with the working voltage of the product.
5. Ensure all wire connections and polarities are correct and secure before applying power to avoid any damages to the LED lights.
6. If a fault occurs please return the product to your supplier. Do not attempt to fix this product by yourself.