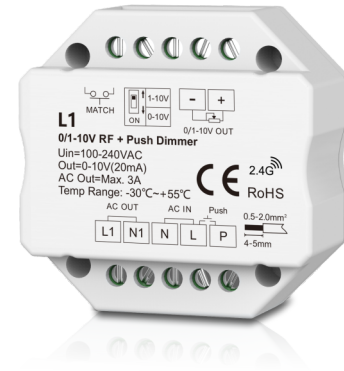


O/1-10V RF + Push Dimmer

- O/1-10V RF or AC push dimmer, 1 channel output.
- Output 1 channel O/1-10V signal, connect with O/1-10V dimmable driver.
- High voltage AC input, high voltage AC relay output, with zero-crossing detection.
- 0-10V or 1-10V output selectable by DIP switch.
- 256 levels 0-100% dimming smoothly without any flash.
- Compatibility with RF 2.4G single zone or multiple zone dimming remote control.
- Connect with external push switch to achieve on/off and 0-100% dimming function.
- Light on/off fade time 3s selectable.
- High-inrush specification relay.
- Easy to be placed in standard wall junction box behind a push switch.

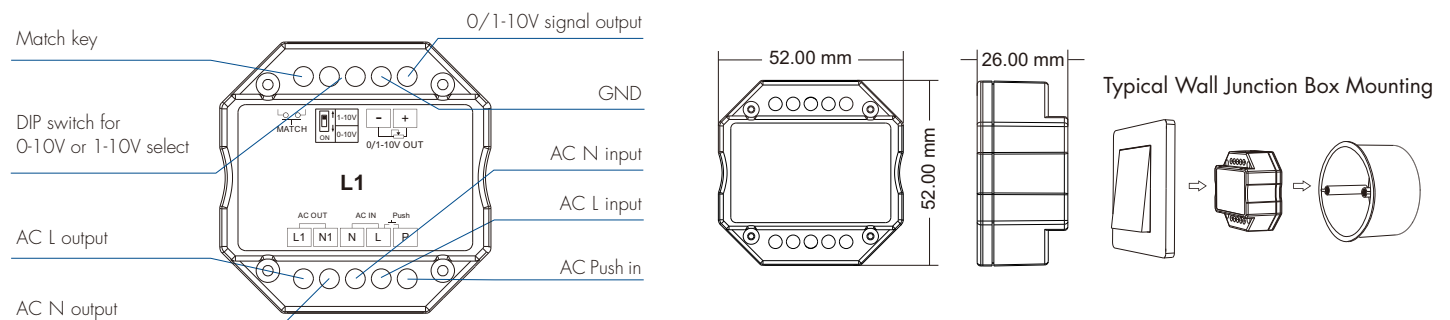


CE RoHS RED

Technical Parameters

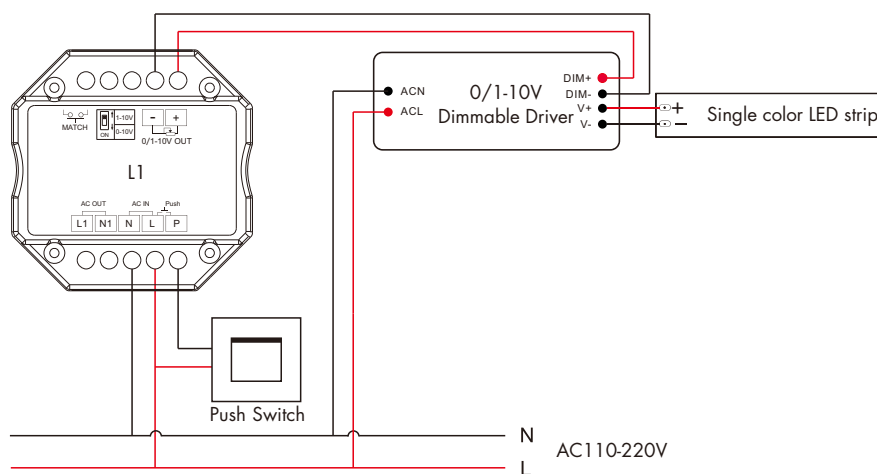
| Input and Output | | Dimming data | | Safety and EMC | |
|---------------------|-------------------|-------------------------|-------------------------|-----------------|--|
| Input voltage | AC100-240V | Input signal | RF 2.4GHz + Push-dim | EMC standard | EN 62479:2010 ETSI EN 301 489-1 V2.2.3 ETSI EN 301 489-17 V3.2.4 |
| Output signal | O/1-10V (20mA) | RF control distance | 30m(Barrier-free space) | Safety standard | EN 61347-1:2015+A1:2021 EN 61347-2-13:2014+A1:2017 |
| Output current | Max. 3A (AC) | Dimming range | 0-100% | Radio Equipment | ETSI EN 300 328 V2.2.2 |
| Relay surge current | 200A | Environment | | Certification | CE RED |
| Package | | Operation temperature | Ta: -30 °C ~ +55 °C | Warranty | |
| Size | L60 x W60 x H40mm | Case temperature (Max.) | Tc: +65 °C | Warranty | 5 years |
| Gross weight | 0.060kg | IP rating | IP20 | | |

Mechanical Structures and Installations

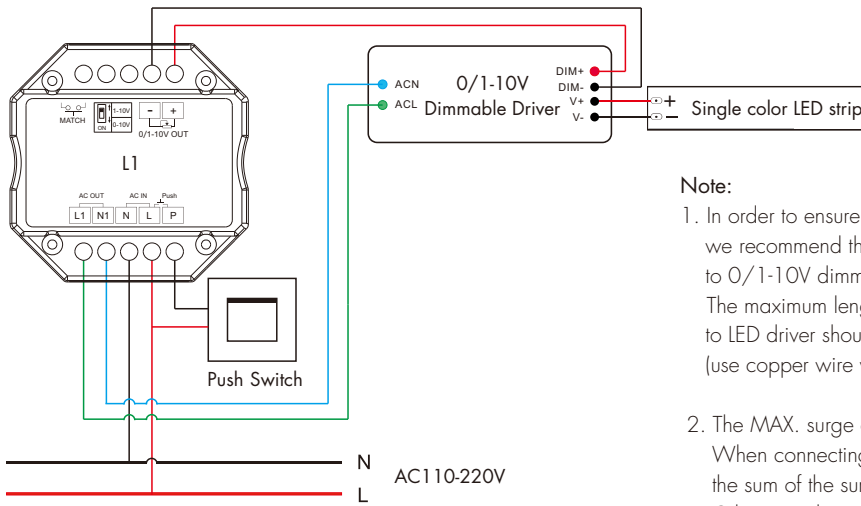


Wiring Diagram

- Connect with O/1-10V dimming driver (no use AC OUT)



- Connect with 0/1-10V dimming driver (use AC OUT)



Note:

1. In order to ensure dimming consistency, we recommend the number of LED drivers connected to 0/1-10V dimmer does not exceed 50 pcs, The maximum length of the wires from dimmer to LED driver should be no more than 50 meters (use copper wire with a cross-sectional area of 0.75 m² for wiring).
2. The MAX. surge current of the AC OUT is 200A. When connecting multiple capacitive (LED power supplies) or inductive loads, the sum of the surge currents can not exceed its maximum value. Otherwise, long-term use may cause product damage.

Match Remote Control (two match ways)

End user can choose the suitable match/delete ways. Two options are offered for selection:

Use the controller's Match key

Match:

Short press match key, immediately press on/off key (single zone remote) or zone key (multiple zone remote) of the remote.

Delete:

Press and hold match key for 5s to delete all match, The light blinks 5 times means all matched remotes were deleted.

Use Power Restart

Match:

Switch off the power, then switch on power, repeat again, Immediately short press on/off key (single zone remote) or zone key (multiple zone remote) 3 times on the remote. The light blinks 3 times means match is successful.

Delete:

Switch off the power, then switch on power, repeat again, Immediately short press on/off key (single zone remote) or zone key (multiple zone remote) 5 times on the remote. The light blinks 5 times means all matched remotes were deleted.

Push-Dim Function

- **Short press:**

Turn on or off light.

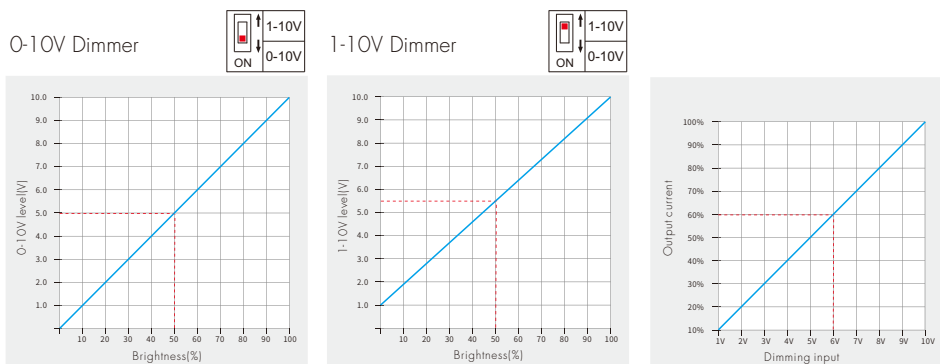
- **Long press (1-6s):**

Press and hold to step-less dimming,

With every other long press, the light level goes to the opposite direction.

0-10V or 1-10V Dimming Setting

Select 0-10V dimmer or 1-10V dimmer according to dimmable LED driver.



Note:

When the output channel is off, the output dimming signal is 0V or 1V. Please read the dimming section of the dimming driver manual. If the dimming characteristic curve is the same as left, you must select 1-10V dimmer and use AC OUT function, otherwise you can't turn off the lights.

Light on/off Fade Time

Long press match key 5s, then short press match key 3 times, the light on/off time will be set to 3s, the indicator light blink 3 times.

Long press match key 10s, restore factory default parameter, the light on/off time also restore to 0.5s.

Installation Precautions

1. The product shall not be installed close to the switching power supply with an interval of ≥ 20 cm to avoid the radiation interference of the switching power supply.
2. The installation height shall be ≥ 1 m from the floor to avoid shortening the remote control distance due to too weak reception signal.
3. The products are not allowed to be close to or covered by metal objects, with an interval of ≥ 20 cm to avoid signal attenuation and shorten the remote control distance.
4. Avoid installation at the corner of the wall or the corner of the beam, with an interval of ≥ 20 cm to avoid signal interference.