

SK1

OLED AC Triac Dimmer

Features

- AC phase-cut mosfet dimmer, one channel output, Max. 6A.
- To dim and switch single color dimmable LED lamps, traditional incandescent and halogen lights.
- 256 levels 0-100% dimming smoothly without any flash.
- Six dimming mode: Knob, DALI, DMX512, 1-10V, RF 2.4GHz, AC Push-Dim.
- Rotate knob to change brightness, support push, push twice and long push operation.
- In accordance with DALI standard protocol IEC 62386-102, IEC 62386-205 and in compliance with DALI products from other international incorporation.
- DMX512 decoder with RDM function.
- Compatible with active or passive 0-10V, 1-10V dimmer.
- Compatibility with RF 2.4G single zone or multiple zone dimming remote control, 15m remote distance.
- Connect with external AC push switch to achieve on/off and dimming function.
- Stand-alone dynamic change mode, speed and brightness adjustable.
- Trailing edge dimming or leading edge dimming selectable.
- Minimum brightness set from 5% to 40%.
- Over-heat / Over-load protection, recover automatically.



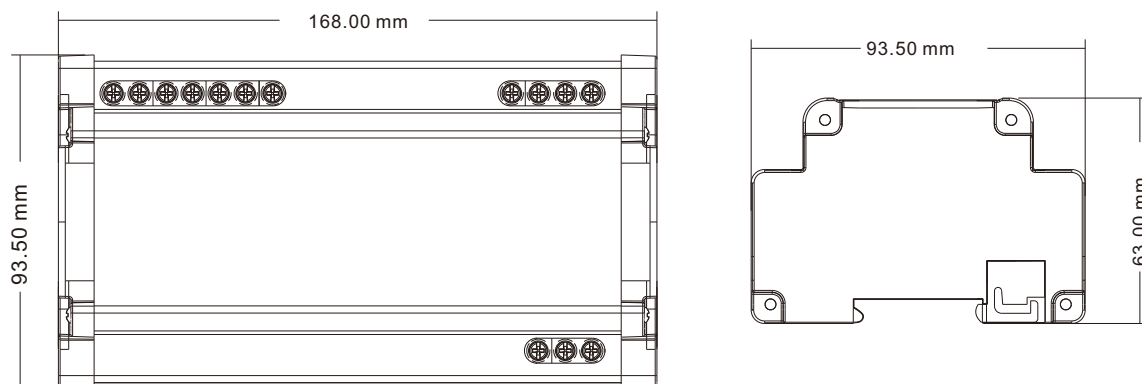
Technical Parameters

Input and Output		Dimming data		Safety and EMC	
Input voltage	100-240VAC	Input signal	Knob/DMX512/1-10V/DALI/RF/Push-Dim	EMC standard	EN 61347-1/-2
Output voltage	100-240VAC	Dimming level	256 levels	Safety standard	EN IEC 55015/EN IEC 61547 ETSI EN 301 489-1/-3
Output current	1CH, 6A	Dimming range	0-100%	Radio Equipment	ETSI EN 300 440
Output power	600-1440W			Certification	CE RoHS DALI-2
Environment		Warranty and Protection		Package	
Operation temperature	Ta: -30°C ~ +55°C	Warranty	5 years	Size	L170 x W98 x H80mm
Case temperature (Max.)	Tc: +85°C	Protection	Over-heat, Over-load protection, recover automatically.	Gross weight	0.58kg
IP rating	IP20				

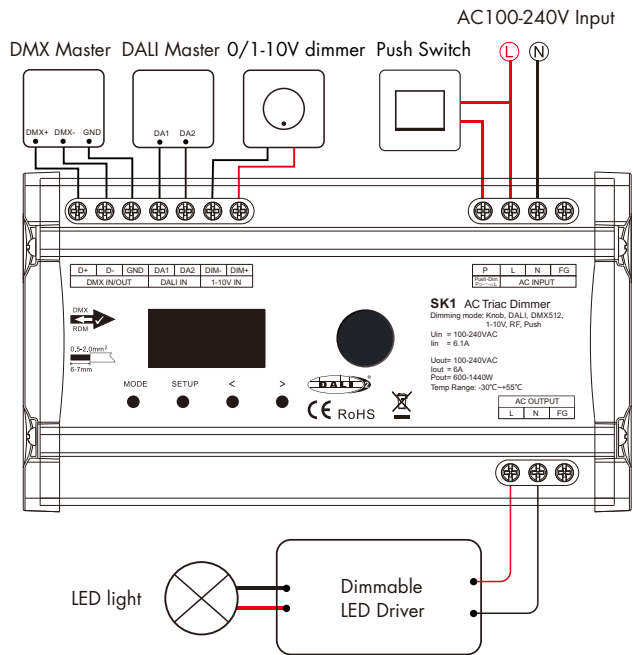
Compatible Load Types

Load Type	Maximum Load	Remarks
Dimmable LED lamps	1000W @ 220V 500W @ 110V	Due to variety of LED lamp designs, maximum number of LED lamps is further dependent on power factor result when connected to dimmer.
Triac Dimmable LED drivers	1000W @ 220V 500W @ 110V	Maximum permitted number of drivers is 1000W divided by driver rated input power, and make sure the surge current is no more than 2 times 65A.
Incandescent lighting, HV Halogen lamps	1500W @ 220V 750W @ 110V	

Mechanical Structures and Installations



Wiring Diagram



Note:

1. When calculating the maximum number of load lamps or drivers, the input power or input current parameters of a single lamp or driver must be used, the output power parameters can not be used. In addition, the maximum surge current of the dimmer is 65A, the sum of surge current of multiple dimmable LED drivers should not exceed 2 times. otherwise, the product will be overloaded and damaged.
2. An DMX signal amplifier is needed when more than 32 decoders are connected, or use overlong signal line, signal amplification should not be more than 5 times continuously.
3. If the recoil effect occurs because of longer signal line or bad line quality, please try to connect 0.25W 90-120Ω terminal resistor at the end of each DMX signal line.
4. 1-10V dimming compliant with 0-10V, 1-10V, 10V PWM, RX (4 in 1).

Operation

Short press MODE key, switch between Manual dimmer mode, DALI dimmer mode, DMX decoder mode, 1-10V dimmer mode and dynamic light change mode.

Short press SETUP key, enter parameter setting state, and switch between multiple parameter item.

press < or > key for parameter adjustment.

long press SETUP key or wait 30s to quit parameter setting state.

Long press < & > key for 2s, restore factory default parameter.

The 4 key operation have the same function as the knob.

System parameter setting

```
Work Mode: Knob
Phase-Cut: Trail
Min Bright: 10%
Exit
```

Work mode:

- Knob** Manual dimmer
- DALI** DALI dimming
- DMX** DMX512 decoder
- 1-10V** 1-10V dimmer
- Auto** Dynamic light change mode

Phase-cut mode:

- Lead** Leading edge dimmer
- Trail** Trailing edge dimmer

Min output brightness:

Range: 5~40%

Manual dimmer mode

```
Manual Dimmer
Switch: ON
Brightness: 100%
Tc: 50C
```

light switch:

- ON** light is on
- OFF** light is off

Output brightness:

Range: 5~100%

Double click or long press 2s the knob, enter parameter setting state.

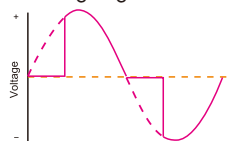
Short press the knob to switch between work mode, phase-cut, minimum brightness setting and exit item.

Rotate the knob for parameter value adjustment of each item.

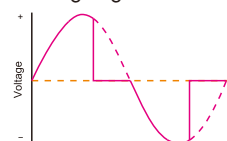
Select leading edge dimmer or trailing edge dimmer according to dimmable LED light or driver.

Set suitable minimum brightness to avoid flick.

Leading-edge dimmer



Trailing-edge dimmer



DALI dimmer mode

```
DALI Dimmer
Add:63 Date:254
Brightness: 100%
Tc:33C Parm->
DimCurve: Linear
MaxLevel: 254
MinLevel: 54
FadeTime: 1.0s
FadeRate: 44.7/s
PowerOnLevel: 254
SysFailLevel: 54
OpenDetect: OFF
```

Short press the knob to enter the DALI dimmer mode setting state, switch DALI address or DALI dimming parameter setting.

Rotate the knob to adjust DALI address or enter DALI dimming parameter setting sub interface.

Under DALI dimming parameter setting sub interface, short press the knob to switch each parameter, rotate the knob to adjust the parameter value.

DALI Address:

Range:00~63, no. "no" indicates an unallocated address.

DALI address can also be assigned by DALI Master controller automatically.

DALI Dimming Data:

Range: 0~254

Output Brightness:

Range: 0~100%

Dim Curve:

Linear/Logarithmic

MaxLevel:

Range: 1~254, recommend 60~254

MinLevel:

Range: 1~254, recommend 1~60

FadeTime:

Sets the fade time when the light or scene change, 16 levels in total.

{0s, 0.7s, 1s, 1.4s, 2s, 2.8s, 4s, 5.7s, 8s, 11.3s, 16s, 22.6s, 32s, 45.3s, 64s, 90.5s}

FadeRate:

Sets the fade rate when the light or scene switch, 15 levels in total.

{ 358/s, 253/s, 179/s, 127/s, 89.4/s, 63.3/s, 44.7/s, 31.6/s, 22.4/s, 15.8/s, 11.2/s, 7.9/s, 5.6/s, 4/s, 2.8/s}

PowerOnLevel:

Range: 0-254

SysFailLevel:

Range: 0-254

ON/OFF Open-Circuit Detection Function:

ON: Enable open-circuit detection

OFF: Disable open-circuit detection

DMX decoder mode

```
DMX Decoder
Addr:001 Data:255
Brightness: 100%
Tc:50C
```

Short press the knob to enter or quit DMX start address setting state.

Rotate the knob for DMX start address adjustment.

DMX decode start address:

Range: 001~512

DMX decode data:

Range: 000~255

Output brightness:

Range: 0~100%

1-10V dimmer mode

```
1-10V Dimmer
Dim input: 10.0V
Brightness: 100%
Tc:50C
```

0/1-10V dimming input:

Range: 0.0V~10.0V

Output brightness:

Range: 0~100%

Dynamic light change mode

```
Light Change
Mode: 1 Fade
Speed:7  Brt:100%
Tc:50C
```

Short press the knob to enter dynamic light change mode setting state, or change between mode no, speed and brightness item. Rotate the knob for value adjustment of each item.

Dynamic light change mode no:

```
1 Fade
2 Jump
3 Flash
```

Mode speed:

Range: 1-8 level

Mode brightness:

Range: 10~100%

RF dimmer mode

```
Manual Dimmer
Switch: ON
Brightness: 100%
Tc:50C
```

If the RF remote is matched and RF signal is received, will enter RF dimmer mode automatically.

Match: Long press the knob or M key for 10s, OLED display (1), within 5s, press on/off key or zone key of the remote, display (2), match is successful, Delete: Long press the knob or M key for 15s, until OLED display (3), delete all matched RF remote.

```
Remote match:
Press on/off key
or zone key
within 5 seconds
```

(1)

```
Remote match OK!
```

(2)

```
All Remotes
were deleted OK!
```

(3)

AC Push-Dim Function

- **Short press:** Turn on or off light.
- **Long press (1-6s):**
Press and hold to step-less dimming, With every other long press, the light level goes to the opposite direction.
- **Dimming memory:**
Light returns to the previous dimming level when switched off and on again, even at power failure.
- **Synchronization:**
If more than one controller are connected to the same push switch, do a long press for more than 10s, then the system is synchronized and all lights in the group dim up to 100%.
This means there is no need for any additional synchrony wire in larger installations.
We recommend the number of controllers connected to a push switch does not exceed 25 pieces,
The maximum length of the wires from push to controller should be no more than 20 meters.

Safety & Warnings

- DO NOT install with power applied to device.
- DO NOT expose the device to moisture.